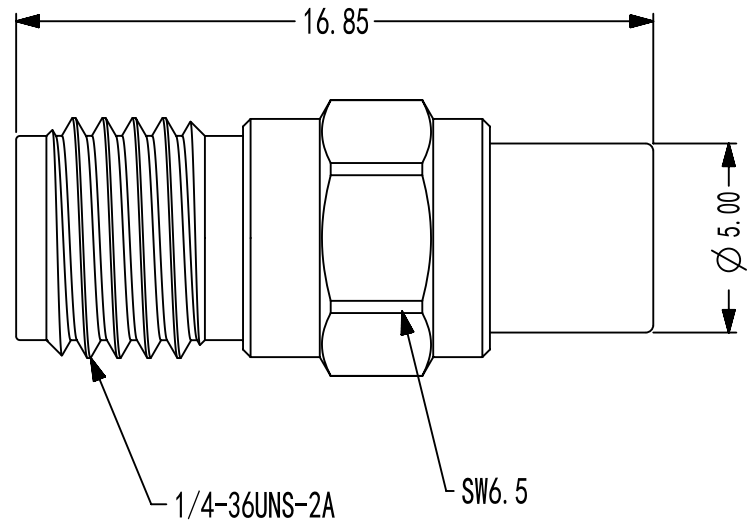


| | | | |
|----|------|--------------|-----|
| 版本 | 设计变更 | 日期 | 会签 |
| A | 新品打样 | 2025. 12. 18 | YYK |
| | | | |



Mechanical Specifications

| | |
|---------------|------------------------|
| Connector 1 | SMA Female |
| Connector 2 | MCX Female |
| Spring | Music wire - Au plated |
| Outer Contact | BeCu-Au plated |
| Inner Contact | BeCu-Au plated |
| Insulator | PTFE |
| Durability | 1000 Cycles |
| Temperature | -55° C to +125° C |

Electrical Specifications

| | |
|-----------------------|---------------|
| Impedance | 50 Ω |
| Frequency Range | DC TO 6GHz |
| V. S. W. R | <1.2(DC-6GHz) |
| Insulation Resistance | >5000 MΩ |
| Withstanding Voltage | 750 VDC |

| | | | | |
|---|------|--------------|-------|--------|
| Drawn | YYK | 2025. 12. 18 | Scale | 5:1 |
| Checked | YYK | 2025. 12. 18 | Sheet | 1 of 1 |
| Approved | ERIC | 2025. 12. 18 | Unit | mm |
| Size | A4 | REV. | A | Note: |
| <p>Tolerances Unless Otherwise Specified:</p> <p>0 PLC ±0.15 1 PLC ± 0.10</p> <p>2 PLC ±0.05 3 PLC ± 0.01</p> | | | | |

| | | | |
|--|---------|--------|------------|
| Series: | SMA/MCA | Group: | RF Adapter |
| Title: SMA/MCX-KK | | | |
| | | | |
| THIS DRAWING IS A CONTROLLED DOCUMENT. | | | |