

版本	设计变更	日期	会签
R0	新品打样	2024. 10. 16	YYK

### MECHANICAL PERFORMANCES

1	Minimum Centers	12mm
2	DUT / contact	HSD Connectors
3	Surface	Au plated
4	Temperature	-40°C to + 80°C

### Outer conductor data

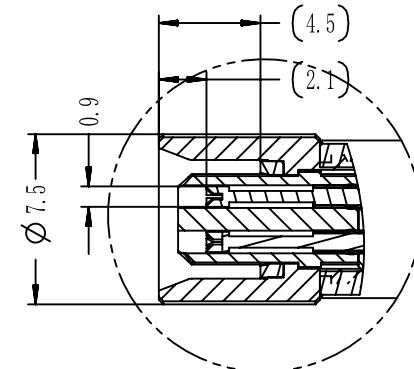
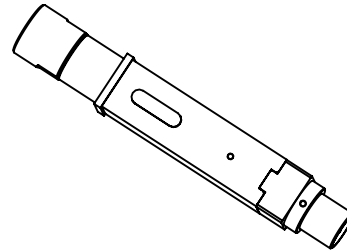
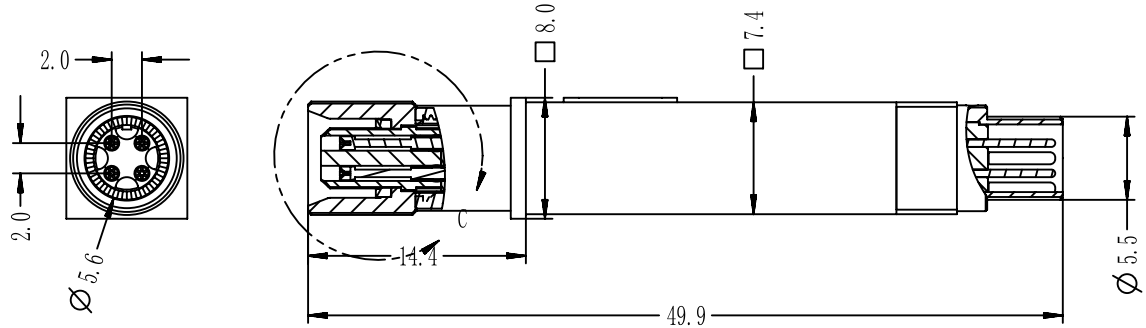
1	Outer conductor working stroke	5.0mm
2	Outer conductor MAX.stroke	6.0mm
3	Spring force at working stroke	7.5N@5.0mm
4	Outer conductor max. current load capacity	10A

### Inner conductor data

1	Plunger material	BeCu
2	Barrel material	Phosphor copper
3	Spring material	Music wire
4	Working stroke	2.0
5	Spring force	130g±20%@2.0mm
6	MAX. current load capacity	3A
7	Life	100K


### ELECTRICAL PERFORMANCES

1	Impedance	MAX.100mΩ
2	Dielectric strength	1.2kV
3	Frequency	2.0Ghz



DETAIL C  
SCALE 3:1

Drawn	YYK	2024. 10. 16	Scale	2:1	Series: RP	Group: RF Probe
Checked	YYK	2024. 10. 16	Sheet	1 of 1	Title: RP-DFSDM88GD-02	
Approved	ERIC	2024. 6. 21	Unit	mm		
Size	A4	REV.	R0	Note:		
				Tolerances Unless Otherwise Specified:		
				0 PLC ±0.15    1 PLC ± 0.10		
				2 PLC ±0.05    3 PLC ± 0.01		
				THIS DRAWING IS A CONTROLLED DOCUMENT.		

 上海里库电子科技有限公司