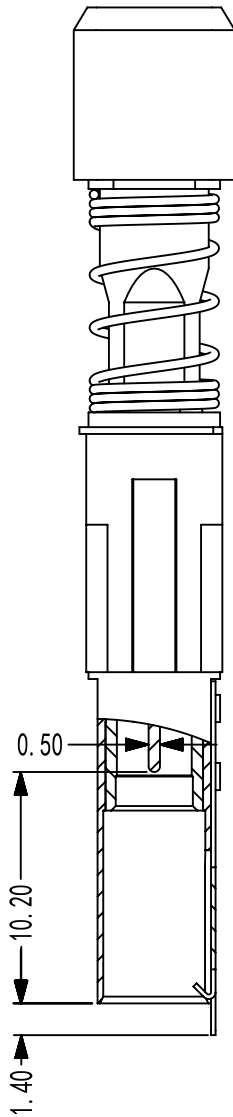
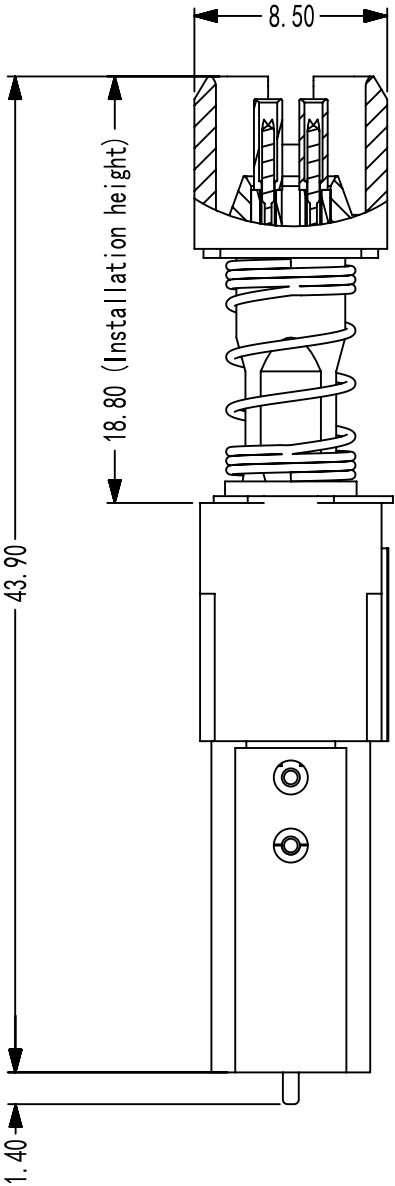
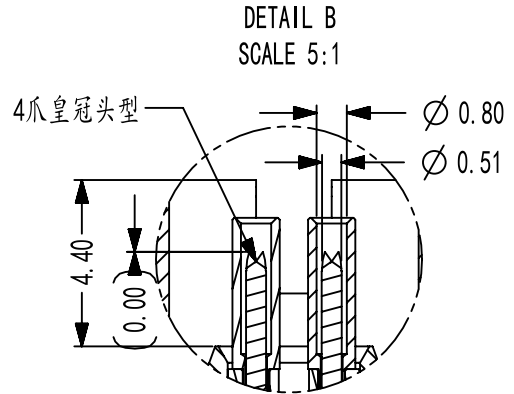
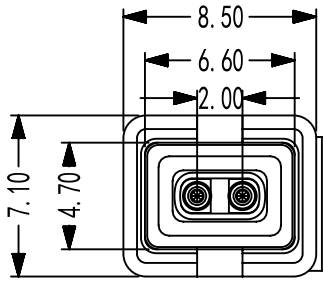


其他 $\nabla^{0.8}$

Version	Design Change	Date	Name
R0	First Release	2023.10.27	YYK



Technical data	
MIN. Center	15mm
DUT/contact	EVHS3(JONHON)
DUT interface gender	M signal / PIN
Installation type	Plug-in
Floating mount	YES
Cable interface	H-MTD Female
Temperature	-40°C~+80°C
Mechanical data	
FULL TRAVEL	5.0mm@OUTER
	3.0mm@INNER
Working TRAVEL	4.0mm@OUTER
	2.2mm@INNER
Spring Force	600g@4.0 / OUTER
	100g@2.2mm / INNER
Total Spring Force	800g@Working Travel
Electrical data	
Current	10A@OUTER
	2A@INNER
Impedance	100 Ohm
Frequency	3 GHz

Drawn	YYK	2023. 10. 27	Scale	3:1	Series: RC100	Group: H-MTD Test Probe
Checked	YYK	2023. 10. 27	Sheet	1 of 1	Title: RCR-TDMRHDM1-02	
Approved	ERIC	2024. 6. 21	Unit	mm		
Size	A4	REV.	R0	Note:	 上海里库电子科技有限公司 THIS DRAWING IS A CONTROLLED DOCUMENT.	
Tolerances Unless Otherwise Specified: 0 PLC ±0.15 1 PLC ±0.10 2 PLC ±0.05 3 PLC ±0.01						